

### UNI MILL 728

#### SOLID CARBIDE ROUNDING CUTTER

**Note:**

THE ABOVE TOOL IS SUPPLIED ON RH CUTTING ONLY IN ST. TEETH.

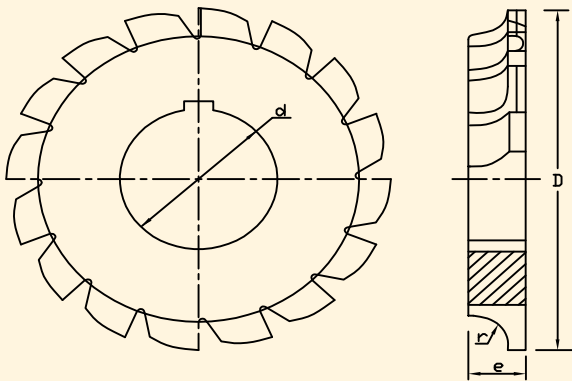
Also offered on request.

(a) TiN coated & TiAlN coated.

(b) Any special Dia & thickness & Radius.

(c) Intermediate sizes.d

WHILE ORDER PLEASE MENTION ORDER NO.



Order No.	RADIUS	DIA	WIDTH	BORE	No. of	Prices
728 - 0010	1	50	4	16	14	
728 - 0012	1.25	50	4	16	14	
728 - 0016	1.6	50	5	16	14	
728 - 0020	2	50	5	16	14	
728 - 0025	2.5	50	5	22	12	
728 - 0030	3	63	6	22	12	
728 - 0035	3.5	63	6	22	12	
728 - 0040	4	63	8	22	12	
728 - 0050	5	63	10	22	12	
728 - 0060	6	80	12	27	12	
728 - 0063	6.3	80	12	27	12	
728 - 0080	8	80	16	27	12	
728 - 0100	10	100	18	32	12	
728 - 0120	12	100	20	32	12	
728 - 0125	12.5	100	20	32	12	
728 - 0140	14	125	24	32	12	
728 - 0160	16	125	24	32	12	
728 - 0180	18	125	28	32	12	

### UNI MILL 732

#### SOLID CARBIDE CONVEX MILLING CUTTER

**Note:**

THE ABOVE TOOL IS SUPPLIED ON RH CUTTING ONLY IN ST. TEETH.

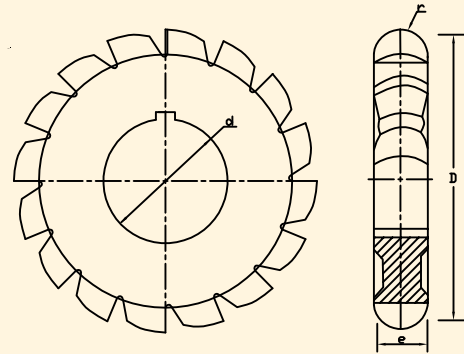
Also offered on request.

(a) TiN coated & TiAlN coated.

(b) Any special Dia & thickness & Radius.

(c) Intermediate sizes.d

WHILE ORDER PLEASE MENTION ORDER NO.



Order No.	RADIUS	DIA	WIDTH	BORE	No. of	Prices
732 - 0005	0.5	50	1	16	18	
732 - 0007	0.75	50	1.5	16	16	
732 - 0010	1	50	2	16	14	
732 - 0012	1.25	50	2.5	16	14	
732 - 0016	1.6	50	3.2	16	14	
732 - 0017	1.75	50	3.5	16	14	
732 - 0020	2	50	4	16	14	
732 - 0022	2.25	63	4.5	22	12	
732 - 0025	2.5	63	5	22	12	
732 - 0027	2.75	63	5.5	22	12	
732 - 0030	3	63	6	22	12	
732 - 0032	3.25	63	6.5	22	12	
732 - 0035	3.5	63	7	22	12	
732 - 0037	3.75	63	7.5	22	12	
732 - 0040	4	63	8	22	12	
732 - 0042	4.25	63	8.5	22	12	
732 - 0045	4.5	63	9	22	12	
732 - 0047	4.75	63	9.5	22	12	
732 - 0050	5	63	10	22	12	
732 - 0055	5.5	80	11	27	12	
732 - 0060	6	80	12	27	12	
732 - 0065	6.5	80	13	27	12	
732 - 0070	7	80	14	27	12	
732 - 0075	7.5	80	15	27	12	
732 - 0080	8	80	16	27	12	
732 - 0085	8.5	100	17	32	12	

Contd .....

### (UNI MILL 732) SOLID CARBIDE CONVEX MILLING CUTTER

Order No.	RADIUS	DIA	WIDTH	BORE	No. of	Prices
732 - 0090	9	100	18	32	12	
732 - 0100	10	100	20	32	12	
732 - 0110	11	100	22	32	12	
732 - 0120	12	100	24	32	12	
732 - 0130	13	125	26	32	12	
732 - 0140	14	125	28	32	12	
732 - 0150	15	125	30	32	12	
732 - 0160	16	125	32	32	12	
732 - 0170	17	125	34	32	12	
732 - 0180	18	125	36	32	12	
732 - 0190	19	125	38	32	12	
732 - 0200	20	125	40	32	12	
732 - 0220	22	125	44	32	12	
732 - 0240	24	145	48	40	12	
732 - 0250	25	145	50	40	12	

### UNI CUT 739

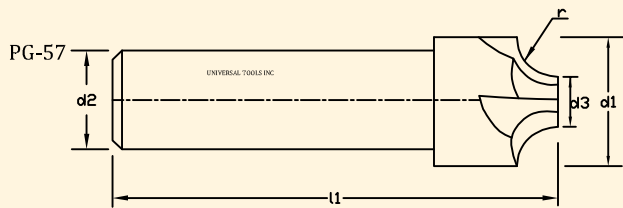
### SOLID CARBIDE ROUNDING CUTTERS

THE ABOVE TOOL WILL BE SUPPLIED IN ST. FLUTES ONLY.

Available on Request:

TIN coated & TiAIN coated Any Radius, Dia, no. of Flutes etc. LH flutes/ RH flutes, LH cutting/ RH cutting, helical flutes, Wistel Noton, Any spl. length & flute length with thru. coolant holes.

Sizes in mm



Order No.	Radius mm	Cutting Dia	Cutting Dia	over all Length	Shank Diad	No. of Teeth	Prices
	h11 R	(small) d3	(Big) d1	L1	d2	Z	
739- 0010	1	6	8	60	10	4	
739- 0015	1.5	6	9	60	10	4	
739- 0020	2	6	10	60	10	4	
739- 0025	2.5	6	11	60	12	4	
739- 0030	3	6	12	60	12	4	
739- 0035	3.5	6	13	60	12	4	
739- 0040	4	6	14	60	12	4	

Contd .....

Contd .....

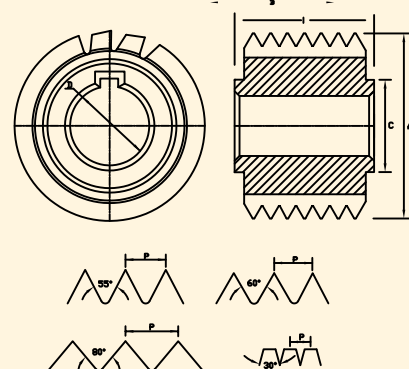
### (UNI CUT 739) SOLID CARBIDE ROUNDING CUTTERS

Order No.	Radius mm	Cutting Dia	Cutting Dia	over all Length	Shank Diad	No. of Teeth	Prices
	h11 R	(small) d3	(Big) d1	L1	d2	Z	
739- 0045	4.5	6	15	60	12	4	
739- 0050	5	6	16	60	12	4	
739- 0055	5.5	8	19	67	16	4	
739- 0060	6	8	20	67	16	4	
739- 0065	6.5	8	21	71	16	4	
739- 0070	7	8	22	71	16	4	
739- 0075	7.5	8	23	71	16	4	
739- 0080	8	8	24	71	16	4	
739- 0085	8.5	8	25	85	25	4	
739- 0090	9	8	26	85	25	4	
739- 0095	9.5	8	27	85	25	4	
739 - 0100	10	8	28	85	25	4	
739 - 0110	11	10	32	90	25	4	
739 - 0120	12	10	34	90	25	4	
739 - 0125	12.5	16	41	100	25	6	
739 - 0130	13	16	42	100	25	6	
739 - 0140	14	16	44	100	25	6	
739 - 0150	15	16	46	100	25	6	
739 - 0160	16	16	48	100	25	6	
739 - 0180	18	16	52	112	32	6	
739 - 0200	20	16	56	112	32	6	

### UNI CUT 739

### SOLID CARBIDE SERRATION CUTTERS

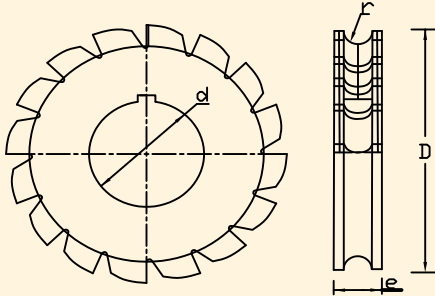
Also offered on Intermediate sizes on request.



### UNI CUT 731

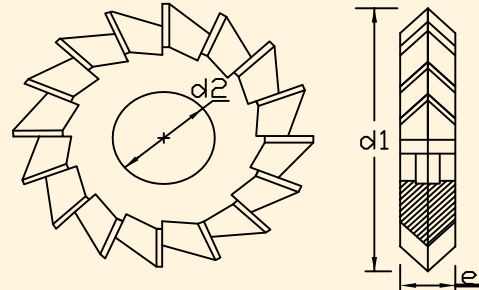
SOLID CARBIDE

CONCAVE MILLING CUTTER



### UNI CUT 730

SOLID CARBIDE DOUBLE ANGLE CUTTERS



Order No.	RADIUS r	DIA D	WIDTH e	BORE d	No. of z	Prices
731 - 0005	0.5	50	6	16	14	
731 - 0008	0.8	50	6	16	14	
731 - 0010	1	50	6	16	14	
731 - 0012	1.25	50	6	16	14	
731 - 0016	1.6	50	8	16	14	
731 - 0020	2	50	9	16	14	
731 - 0025	2.5	63	10	22	12	
731 - 0030	3	63	12	22	12	
731 - 0035	3.5	63	16	22	12	
731 - 0040	4	63	16	22	12	
731 - 0050	5	63	20	22	12	
731 - 0060	6	80	24	27	12	
731 - 0065	6.5	80	28	27	12	
731 - 0080	8	80	32	27	12	
731 - 0085	8.5	100	36	32	12	
731 - 0090	9	100	36	32	12	
731 - 0100	10	100	36	32	12	
731 - 0110	11	100	40	32	12	
731 - 0120	12	100	40	32	12	
731 - 0130	13	125	48	32	10	
731 - 0140	14	125	48	32	10	
731 - 0150	15	125	50	32	10	
731 - 0160	16	125	50	32	10	
731 - 0170	17	125	56	32	10	
731 - 0180	18	125	56	32	10	
731 - 0190	19	125	60	32	10	
731 - 0200	20	125	60	32	10	
731 - 0220	22	125	60	32	10	
731 - 0240	24	145	80	40	10	
731 - 0250	25	145	80	40	10	

Order No.	$\alpha$	d1	e	d2	Z	Prices
730 - 050 - 45	45°	50	8	16	20	
730 - 063 - 45	45°	63	10	22	22	
730 - 080 - 45	45°	80	12	27	24	
730 - 100 - 45	45°	100	18	32	26	
730 - 060 - 60	60°	50	10	16	18	
730 - 063 - 60	60°	63	14	22	20	
730 - 080 - 60	60°	80	18	27	22	
730 - 100 - 60	60°	100	25	32	24	
730 - 050 - 90	90°	50	14	16	16	
730 - 063 - 90	90°	63	20	22	18	
730 - 080 - 90	90°	80	22	27	20	
730 - 100 - 90	90°	100	32	32	24	
730 - 050 - 120	120°	50	14	16	16	
730 - 063 - 120	120°	63	20	22	16	
730 - 080 - 120	120°	80+	25	27	20	
730 - 100 - 120	120°	100+	36	32	24	

World Class Tools From  
World Class Universal Tool